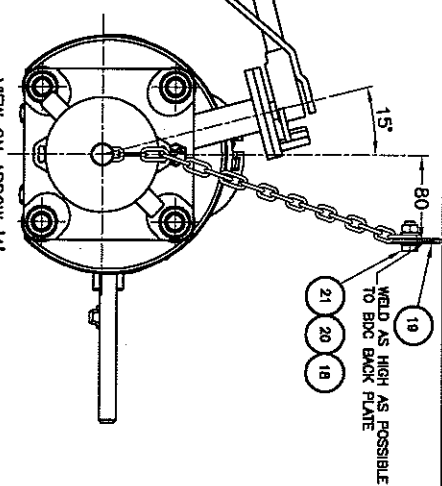
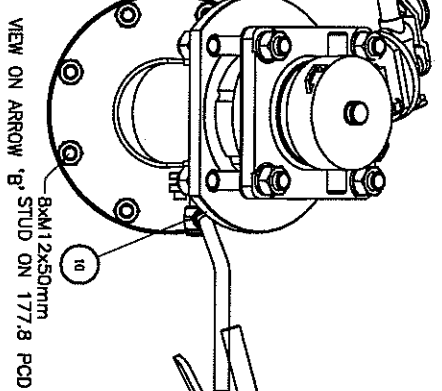


FOR UNCLAD TANKS DO NOT FIT ITEM 19
 FIT ITEM 18 AROUND ITEM 12 BETWEEN FLANGES.

GENERIC/UNIVERSAL/LCD-ISO TANKS - 800mm WIDE BOX

POSITION	LENGTH
1) BDC Cap onto Spigot Flange	160mm
2) BDC Cap to Backplate above Valve	330mm
3) BDC Cap to Left Hand side of Bottom Mount	490mm
4) BDC Cap to Backplate above Valve, to Spigot on LHS of Bottom Mount	490mm



ITEM QTY	UNLESS OTHERWISE STATED	DESCRIPTION	UNAUTHORISED REPRODUCTION AND OR USE OF THIS DRAWING AND ITS CONTENTS ARE STRICTLY PROHIBITED.	PROJECTION	DRAWN	CHECKED	DATE	SCALE	BY
21	1	BOLT HEX-M16x20MM		20	6	S/S			
20	2	WASHER FLAT-M16x1.6MM				S/S			
19	1	BRK. FASTENING EARTH/PS		42	30	3MM, S/S 304L			
18	1	NUT HEX-M16				S/S			
17	1	WASHER FLAT-M4.3x2MM OD 16MM				S/S			
16	1	ROW/CH-43x22x12x20MM		160	12	#3, S/STEEL			
15	2	STUD HALF-M16x125MM		125		S/S			
14	8	WASHER SPRING-M16x4MM				S/S			
13	8	WASHER SPRING-M12x3MM				S/S			
12	2	STUD HALF-M16x120MM		120		S/S			
11	7	STUD HALF-M12x50MM		50		S/S			
10	1	STUD HALF-M12x45MM		45		S/S			
9	1	ANC.CAS-3'BSP WITH CHAIN PILLAR 04MM				S/S, 316L			
8	8	NUT HEX-M12				S/S			
7	8	NUT HEX-M12				S/S			
6	1	GAS.CAF-ø20x3xø114x2.5mm		2	203	2.5MM, CAF/TFE			
5	1	GAS.CAF-ø14x2xø8x2.5mm		2	142	2.5MM, CAF			
4	1	GAS.CAF-ø14x2xø7x2.5mm		2	142	2.5MM, CAF/TFE			
3	1	BDC.FL-3"HL, 45 826/1200				S/S, 316L			
2	1	BUT.FL-3"368/700B,C,CLAMP TYPE				S/S, 316L			
1	1	ADAPTOR SQUARE, 3"160P,OD,BSP		45	88	45MM, S/S, 316L			

DATE: 07/09/06
 REVISIONS: ER 7752.0

DESCRIPTION:
 BOTTOM DISCH-3"x45",FL,HL,BUT,BSP
 368/700B,3mm CHAIN,CAF

Weifit Oddy
 DRAWING NO: BDC00084F0999-H
 FORMAT: A3H